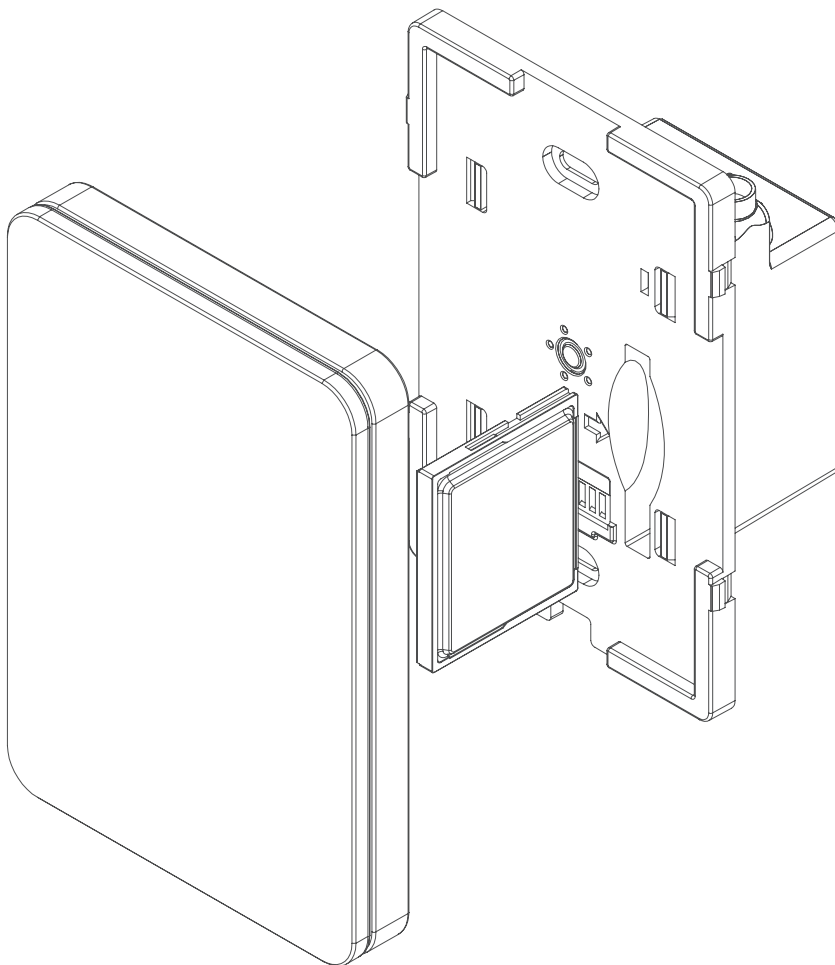


qDimmer Series

The Intelligent Dimmer

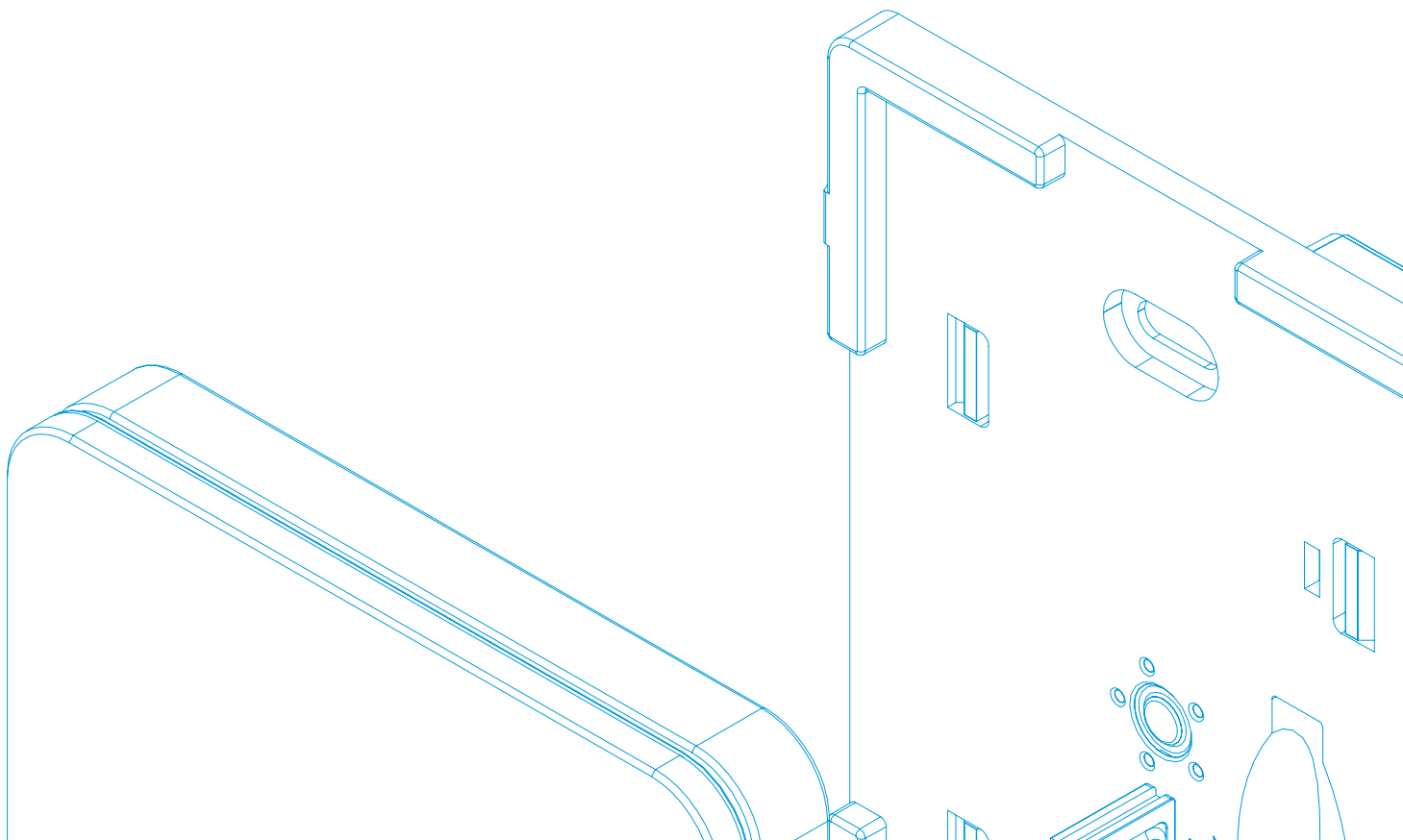


The qDimmer Intelligent Dimmer is part of the Quantify Truly Intelligent Buildings platform, a fully networked computing framework consisting of smart, secure light control and power outlet devices, along with the Quantify cloud software.

The qDimmer can control up to three individual electrical channels with dimmable or non-dimmable loads and works in any building using standard AC cabling techniques. There is no need for a dedicated hub or gateway.

An upgradeable Feature Card connects the qDimmer to the local network and the Internet, allowing automated software updates and remote control, as well as status notifications via the Quantify app. Networked qDimmers can be easily programmed to control any channels, channel groups and scenes across the entire installation.

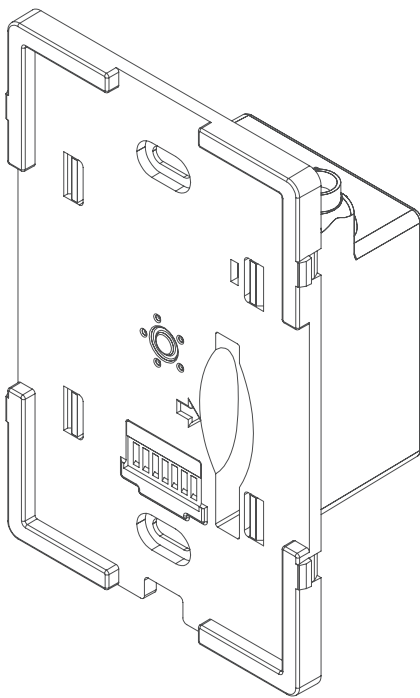
Embedded in the qDimmer's stylish glass Touch Panel are a series of sensors that respond to you and your environment, enabling rich user interaction and granular system control via voice, touch or app.



Data Sheet

DIMMER

PN01-A033-02



PRODUCT OVERVIEW

The Quantify dimmer works with standard AC cabling techniques and can control up to three 240V channels, with a maximum total capacity of 450W. It offers dimming and non-dimming control, and is compatible with a variety of LED, halogen and incandescent load types. All electrical, policy and advanced living experience settings are fully configurable using the Quantify software.

MAIN INFORMATION

Operating Voltage AC	220 - 240V	
Frequency	50Hz	
Max. Total Capacity	450W	
Capacity/Dimming/Ch	150W	Ideal load (derating depending on load type)
Capacity/Switch/Ch	275W	On a single channel only per device
Wiring Configuration	Standard Linked 2-wire	Dedicated neutral Neutral provided across connected load* ^A
Minimum Load	Standard Linked 2-wire	5W 8-12W* ^B
Output Channels	1, 2 or 3	
Dimmable	Yes	
Over-Current Protection* ^C	Yes	Each output 1x2A fuse and 1x115°C thermal fuse 1x Power supply fuse 2A
Current Monitoring	Yes	Accurate to 5% at 25°C* ^D
Operating Temperature	0°C to 40°C	
Operating Humidity Range	10 to 85% RH	

*^A See wiring instructions for installation without neutral wire

*^B Depending on load type

*^C Not user replaceable

*^D Feature Card and Quantify software required for reporting



Version 1.0.3. Data correct as of 1-7-2019. Refer to technical bulletins at www.quantifytechnology.com/tech-bulletins

Technical specifications for products with future release dates are subject to change. © 2019 Quantify Technology Aus Pty Ltd (ABN 25 113 326 524). All Rights Reserved.

www.quantifytechnology.com

ORDERING INFORMATION

Part Number	3-Channel Dimmer	PN01-A033-02
-------------	------------------	--------------

THIS PRODUCT IS COMPATIBLE WITH

Connectivity	Feature Card	PN00-C100-01
Interface	Touch Panel Motion Sensor	PN00-F0Mx-xx PN00-F001-01

ADDITIONAL INFORMATION

Dimensions	77.54mm	116.5mm	47.4mm
Weight	140g		
Colour	Black		
Material	Polycarbonate		
Mounting Cavity	80mm	54mm	45mm
Mounting Centre	84mm	Australian pattern plate	
Dimming Technique(s) for the Lighting load only	2 installer selectable phase cutting techniques: Trailing-Edge (Default) Leading-Edge (For Supporting Legacy Loads)		
IP rating	IP20		
Safety Compliance/ EMC Compliance	IEC 60669-1	IEC 60669-2-1 (Relevant sections)	
User-Serviceable	No user-serviceable parts inside		
Warranty	24-month product warranty		



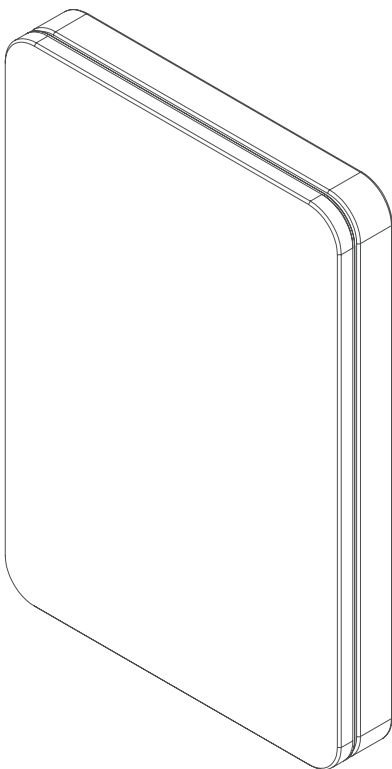
Data Sheet

TOUCH PANEL

PN00-FOMx-xx

PRODUCT OVERVIEW

The touch panel is the interface between you and the Quantify system. Featuring large LED-illuminated touch areas for easy control, it provides visual and haptic feedback, alongside smart sensors to measure the ambient light level, plus detect proximity and touch gestures. Made of smooth, tempered glass, touch panels can be designed to complement any décor and style.



MAIN INFORMATION

Dimensions	87mm	126.5mm	14mm
Operating Temperature	0°C to 40°C		
Operating Humidity	10 to 85% RH	Non-condensing	

ORDERING INFORMATION

Part Number	Touch Panel	PN00-FOMx-xx
-------------	-------------	--------------

THIS PRODUCT IS COMPATIBLE WITH

Power Controller	3-Channel Dimmer	PN01-A033-02
Connectivity	Feature Card	PN00-C100-01



ADDITIONAL INFORMATION

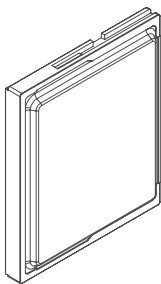
Display States	Asleep	Awake	
Interaction Modes	Touch	Gesture	
System Status Indicator	RGB LED		
Button Sensors	Capacitive Touch Sensor		
Button Illumination	RGB LED Tiles		
Button States	On	Off	Secondary
Haptic Feedback	Eccentric Rotating Mass Vibration Motor		
Proximity Sensor	3-in-1 Time-of-Flight Module		
Warranty	24-month product warranty		



Data Sheet

FEATURE CARD

PN00-C100-01



PRODUCT OVERVIEW

The Feature Card securely connects qDevices to the local network and the Internet, enabling qDevices to communicate with each other. It also allows automated over-the-air software configuration, system reporting, updates and control. All Quantify Feature Cards are user-upgradeable to ensure extensibility, as well as accommodating possible future system requirements.

MAIN INFORMATION

Wi-Fi	802.11 b/g/n	
Wi-Fi Security	WPA2-Personal	
Wi-Fi Frequency	2.4 GHz	
Operating Temperature	0°C to 40°C	
Operating Humidity	10 to 85% RH	Non-condensing

ORDERING INFORMATION

Part Number	Wi-Fi Feature Card	PN00-C100-01
-------------	--------------------	--------------

THIS PRODUCT IS COMPATIBLE WITH

Power Controller	3-Channel Dimmer	PN01-A033-02
------------------	------------------	--------------



Version 1.0.3. Data correct as of 1-7-2019. Refer to technical bulletins at www.quantifytechnology.com/tech-bulletins

Technical specifications for products with future release dates are subject to change. © 2019 Quantify Technology Aus Pty Ltd (ABN 25 113 326 524). All Rights Reserved.

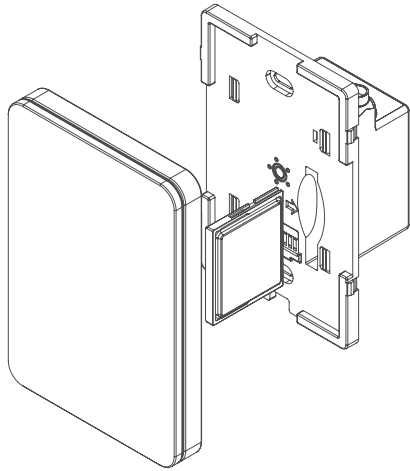
www.quantifytechnology.com

ADDITIONAL INFORMATION

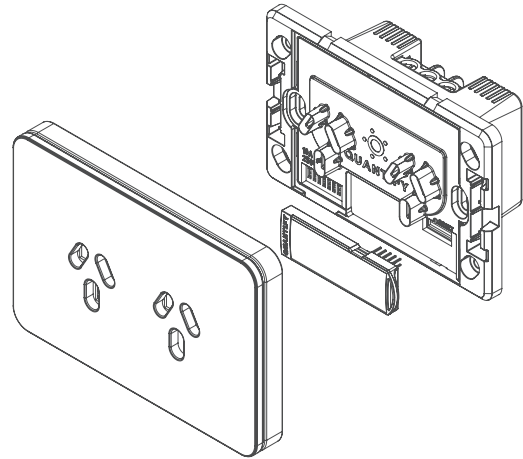
Dimensions	3.8mm	42.8mm	36.4mm
Weight	10.62g		
Colour	Black/Silver		
Material	Metal/Polycarbonate		
User-Replaceable	Yes		
Compliance	AS/NZS 4268:2012/Amdt 1:2013		
Warranty	24-month product warranty		



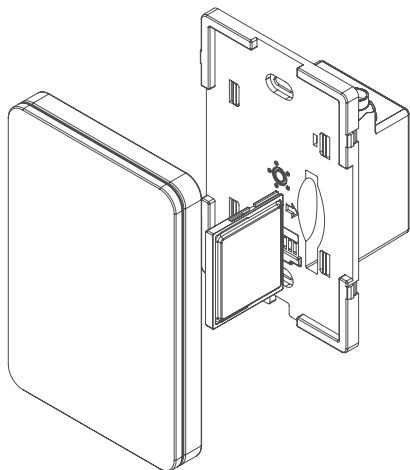
qDimmer Series
The Intelligent Dimmer



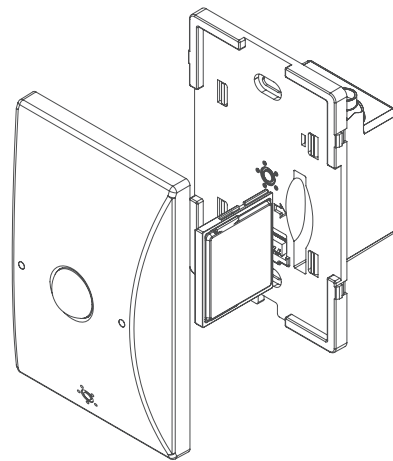
qPower Series
The Intelligent Power Point



qBlind
The Intelligent Blind Control



qMotion
The Intelligent Motion Detector





+61 (0)8 6254 0200

sales@quantifytechnology.com

Suite 2, 6 Brodie-Hall Drive, Bentley, Western Australia 6102

www.quantifytechnology.com