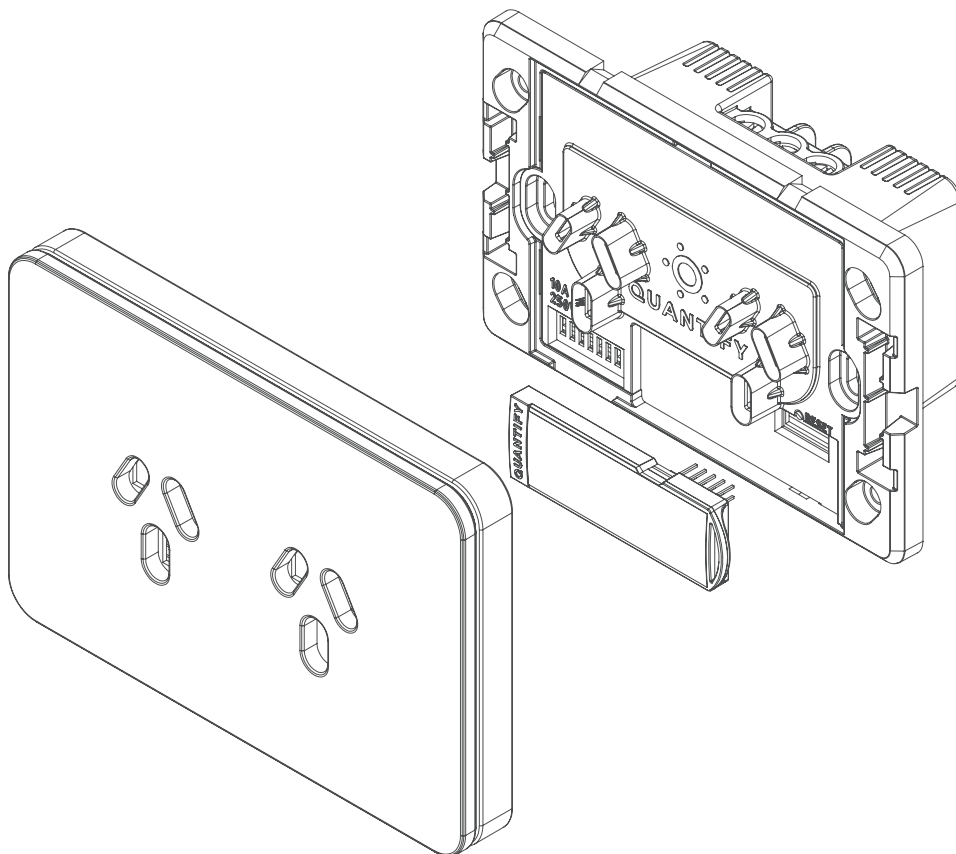


# qPower Series

## The Intelligent Power Point

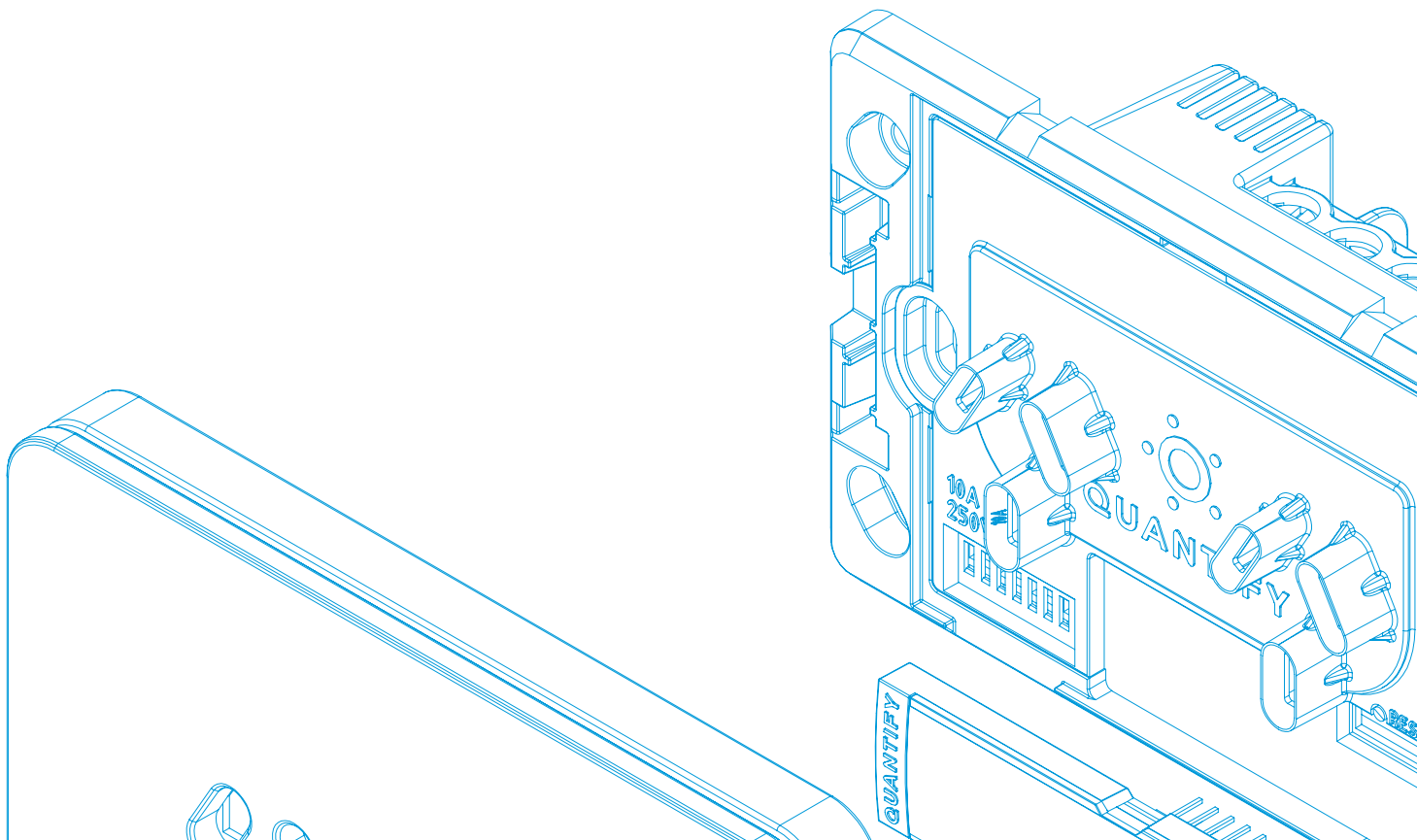


The qPower Intelligent Power Point is part of the Quantify Truly Intelligent Buildings platform, a fully networked computing framework consisting of smart, secure lighting control and power point devices, along with the Quantify cloud software.

The qPower outlet controls two individual 240V electrical outlets.

An upgradeable Feature Card connects the qPower to the local network and the Internet, allowing automated software updates and remote control, as well as status notifications via the Quantify app. Networked qPower devices can be easily programmed to limit current output and monitor energy consumption.

Embedded in the qPower's stylish glass Touch Panel are a series of sensors that respond to you and your environment to enable rich user interaction and granular system control via voice, touch or app.



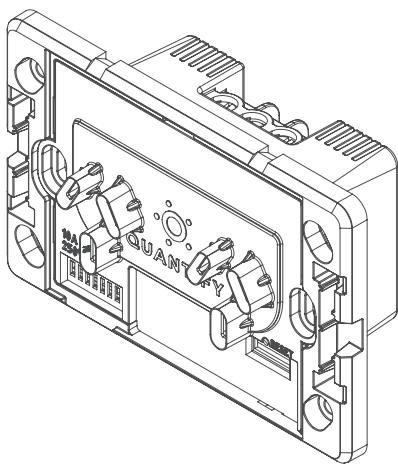
# Data Sheet

## POWER POINT

PN01-A203-02 / PN01-A204-01 / PN01-A205-01 / PN01-A206-01

### PRODUCT OVERVIEW

The Quantify Power Point has two 240V individually controllable outlets that can actively monitor current consumption and line voltage. Together with a Feature Card, the outlets may also be controlled from any qDevice. The amount of output current available to each outlet can be restricted via policy and advanced living experience settings are fully configurable using the Quantify software.



#### MAIN INFORMATION

Operating Voltage	220-240V AC	
Frequency	50 Hz	
Output Channels	Max 16A (Max. 10A for a single socket outlet)	
Over-Current Protection	Yes (Software controlled)	
Power Monitoring	Yes	Accurate to 5% at 25°C <sup>**</sup>
Operating Temperature	0°C to 40°C	
Operating Humidity	10 to 85% RH	Non-condensing

<sup>\*\*</sup> Feature Card and Quantify software required for reporting

#### ORDERING INFORMATION

Part Number	Power Point (with energy monitoring)	PN01-A203-02 (White)
		PN01-A204-01 (Black)
	Power Point	PN01-A205-01 (White)
		PN01-A206-01 (Black)

#### THIS PRODUCT IS COMPATIBLE WITH

Connectivity	Wi-Fi Feature Card	PN00-C200-02
Interface	Smart Touch Panel	PN01-F203-01 (White Pinstripe)
		PN01-F204-01 (Black Pinstripe)
	Touch Panel	PN01-F202-01 (White Pinstripe)
		PN01-F205-01 (Black Pinstripe)



Version 1.0.3. Data correct as of 1-7-2019. Refer to technical bulletins at [www.quantifytechnology.com/tech-bulletins](http://www.quantifytechnology.com/tech-bulletins)

Technical specifications for products with future release dates are subject to change. © 2019 Quantify Technology Aus Pty Ltd (ABN 25 113 326 524). All Rights Reserved.

[www.quantifytechnology.com](http://www.quantifytechnology.com)

## ADDITIONAL INFORMATION

Dimensions	117mm	76mm	47.5mm
Weight	175g		
Colour	Black or white		
Material	Polycarbonate		
Mounting Cavity	80mm	54mm	45mm
Mounting Centres	84mm		
IP Rating	IP20		
User-Serviceable	No		
Warranty	24-month product warranty		
Safety Compliance	IEC 60669-1	IEC 60669-2-1	AS/NZS 3112
EMC Compliance	IEC 60669-1	IEC 60669-2-1 (Relevant sections)	



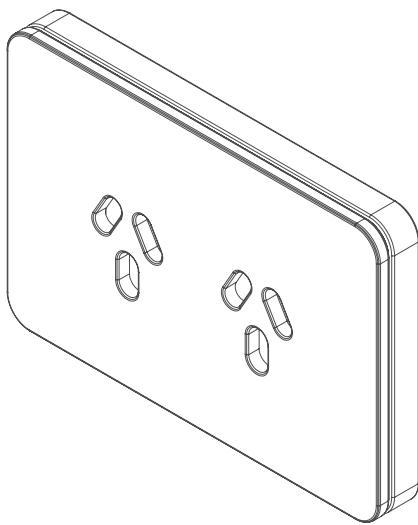
# Data Sheet

## TOUCH PANEL

PN01-F203-01 / PN01-F204-01 / PN01-F202-01 / PN01-F205-01

### PRODUCT OVERVIEW

The touch panel is the interface between you and the Quantify system. Featuring large LED-illuminated touch areas for easy control, it provides visual and haptic feedback, alongside smart sensors to detect light, proximity and air gestures. Made of smooth, tempered glass, touch panels can be designed to complement any décor and style.



#### MAIN INFORMATION

Dimensions	126.5mm	87mm	14mm
------------	---------	------	------

Operating Temperature	0°C to 40°C
-----------------------	-------------

Operating Humidity	10 to 85% RH	Non-condensing
--------------------	--------------	----------------

#### ORDERING INFORMATION

Part Number	Smart Touch Panel	PN01-F203-01 (White Pinstripe) PN01-F204-01 (Black Pinstripe)
	Touch Panel	PN01-F202-01 (White Pinstripe) PN01-F205-01 (Black Pinstripe)

#### THIS PRODUCT IS COMPATIBLE WITH

Connectivity	Wi-Fi Feature Card	PN00-C200-02
--------------	--------------------	--------------

Power Controller	Power Point (with energy monitoring)	PN01-A203-02 (White) PN01-A204-01 (Black)
	Power Point	PN01-A205-01 (White) PN01-A206-01 (Black)



Version 1.0.3. Data correct as of 1-7-2019. Refer to technical bulletins at [www.quantifytechnology.com/tech-bulletins](http://www.quantifytechnology.com/tech-bulletins)

Technical specifications for products with future release dates are subject to change. © 2019 Quantify Technology Aus Pty Ltd (ABN 25 113 326 524). All Rights Reserved.

[www.quantifytechnology.com](http://www.quantifytechnology.com)

## ADDITIONAL INFORMATION

Display States <sup>*A</sup>	Asleep	Awake	
Interaction Modes	Touch	Gesture <sup>*A</sup>	Proximity <sup>*A</sup>
System Status Indicator	RGB LED		
Button Sensors	Capacitive Touch Sensor		
Button Illumination	RGB LED Tiles		
Button States	On	Off	
Haptic Feedback <sup>*A</sup>	Eccentric Rotating Mass Vibration Motor		
Proximity Sensor <sup>*A</sup>	3-in-1 Time-of-Flight Module		
Warranty	24-month product warranty		

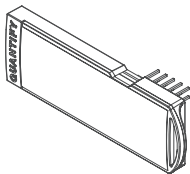
<sup>\*A</sup> Smart Touch Panel only



# Data Sheet

## FEATURE CARD

PN00-C200-02



### PRODUCT OVERVIEW

The Feature Card securely connects qDevices to the local network and the Internet, enabling qDevices to communicate with each other. It also allows automated over-the-air software configuration, system reporting, updates and control. All Quantify Feature Cards are user-upgradeable to ensure extensibility, as well as accommodating possible future system requirements.

#### MAIN INFORMATION

Wi-Fi	802.11 b/g/n	
Wi-Fi Security	WPA2-Personal	
Wi-Fi Frequency	2.4 GHz	
Operating Temperature	0°C to 40°C	
Operating Humidity	10 to 85% RH	Non-condensing

#### ORDERING INFORMATION

Part Number	PN00-C200-02	Feature Card
-------------	--------------	--------------

#### THIS PRODUCT IS COMPATIBLE WITH

Power Controller	Power Point (with energy monitoring)	PN01-A203-02 (White)
		PN01-A204-01 (Black)
	Power Point	PN01-A205-01 (White)
		PN01-A206-01 (Black)



Version 1.0.3. Data correct as of 1-7-2019. Refer to technical bulletins at [www.quantifytechnology.com/tech-bulletins](http://www.quantifytechnology.com/tech-bulletins)

Technical specifications for products with future release dates are subject to change. © 2019 Quantify Technology Aus Pty Ltd (ABN 25 113 326 524). All Rights Reserved.

[www.quantifytechnology.com](http://www.quantifytechnology.com)

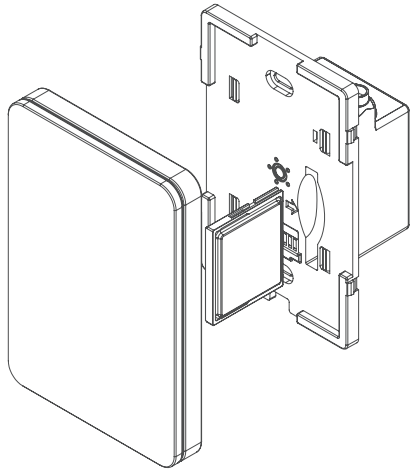
## ADDITIONAL INFORMATION

Dimensions	52.00mm	16.50mm	10.49mm
Weight	6.4g		
Colour	Black or white		
Material	Polycarbonate		
User-Replaceable	Yes		
Compliance	AS/NZS 4268:2012/Amdt 1:2013		
Warranty	24-month product warranty		

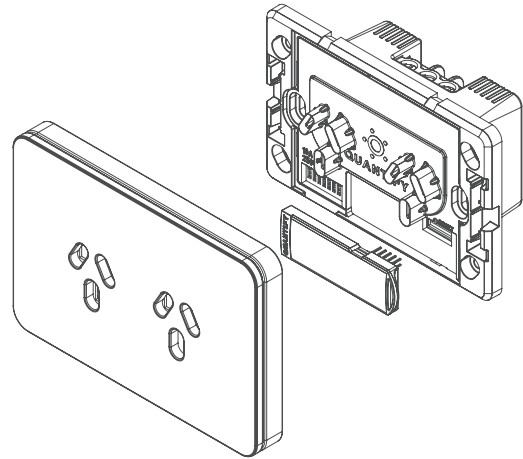




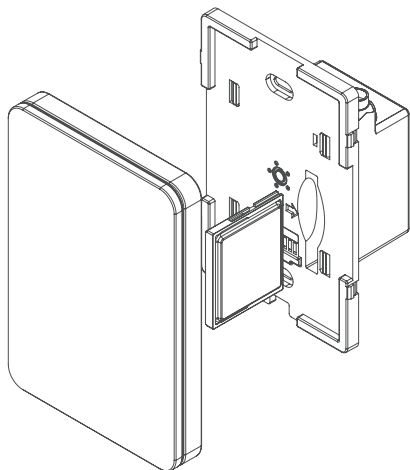
qDimmer Series  
The Intelligent Dimmer



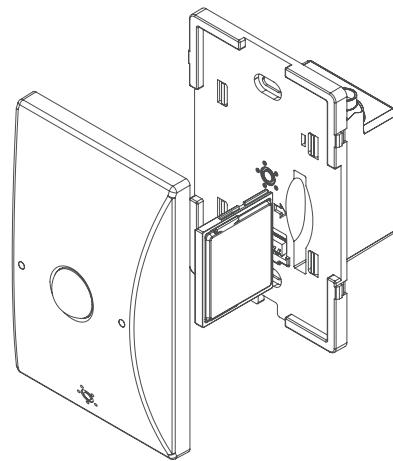
qPower Series  
The Intelligent Power Point



qBlind  
The Intelligent Blind Control



qMotion  
The Intelligent Motion Detector





+61 (0)8 6254 0200

[sales@quantifytechnology.com](mailto:sales@quantifytechnology.com)

Suite 2, 6 Brodie-Hall Drive, Bentley, Western Australia 6102

[www.quantifytechnology.com](http://www.quantifytechnology.com)