

Quantify qPower+ 2 Outlet Power Point PN01-A2xx-xx

INSTALLATION GUIDE

Product Description

The Quantify Power Point has two 240V individually controllable outlets that can actively monitor current consumption and line voltage. Together with a Feature Card, the outlets may also be controlled from any qDevice. The amount of output current available to each outlet can be restricted via policy and advanced living experience settings are fully configurable in the Quantify qHome Designer.

Safety Information

⚠️ ⚠️ DANGER: Electrical Shock Hazard. Installation of this product must be carried out by a qualified electrician and in accordance with local authority rules and regulations.

IMPORTANT: This Device **MUST** only be connected to a circuit protected by a Residual Current Device (RCD) or a Circuit Breaker of 32A capacity or less.

IMPORTANT: This Device is **NOT** suitable for use in any situation or installation where the failure of the device or any part thereof may result in the loss of life or personal injury.

⚠️ CAUTION: An overloaded channel will turn itself OFF. Unplug the load and replace it with one within specification before turning it back on at the qPower Touch Panel. If the Touch Panel is not responding, then the main circuit breaker may need to be reset to restore power to the qPower outlet.

⚠️ CAUTION: A Touch Panel button that blinks red indicates that a channel has been overloaded and has been shut OFF. Unplug the load and tap the red blinking button to turn OFF and reset the channel. Replace the load with one within specification before turning it back ON at the qPower Touch Panel.

Note: If the main circuit breaker has tripped, then the Touch Panel will not display any button status light until the main circuit breaker has been reset. Unplug all loads and reset the circuit breaker. Ensure the loads are within specification before plugging them into the qPower.

Installation Instructions

IMPORTANT: The place of installation should be indoors ONLY, and protected from extremes of temperature and water ingress.

Wiring Instructions

▲ IMPORTANT: Ensure power supply has been disconnected at the distribution board prior to wiring.

Carefully follow the wiring diagram in Figure 1, with the neutral, earth and active wire connected to the device as shown.

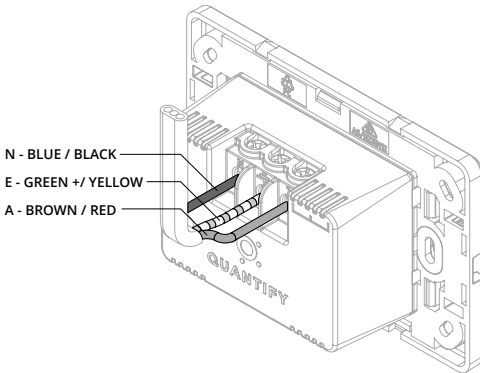


Figure 1: Wiring Instructions

Terminate wires as shown.

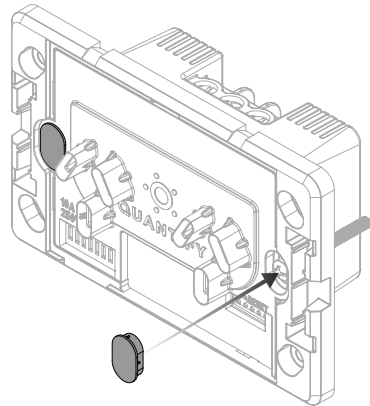


Figure 2: Screw Covers

Hand tighten the included screws and press screw caps over fixings.

Power Point Installation

The qPower can be installed into plaster board with a C-Clip or mounted into brick/timber with a standard wall box.

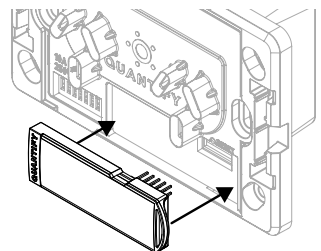
- 1 Using the provided screws, fasten the Power Point firmly to the wall without over-tightening the screws. The top of the screw head must be lower than the plastic.
- 2 Ensure that the screws are electrically isolated and cannot expose users to AC power.
- 3 Press screw caps over the fixings (see Figure 2).

Feature Card Installation

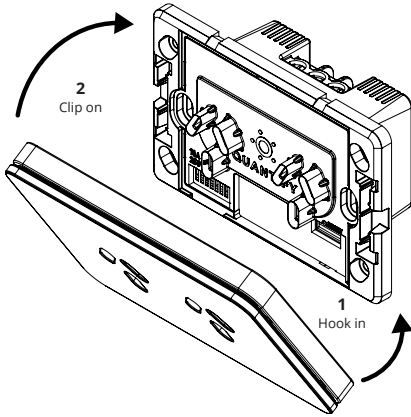
IMPORTANT: Use only Quantify Technology Feature Cards.

Insert the Feature Card connector into the socket located at the bottom-right hand side of the Power Point, as shown in the illustration.

To remove the Feature Card, pull firmly on the attached tab.

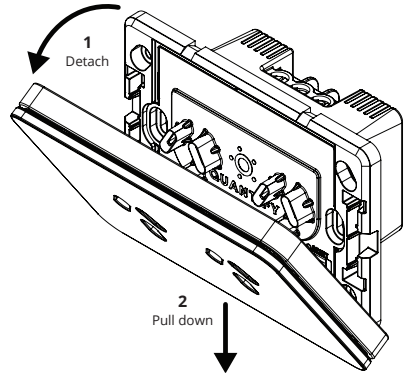


Clip-on Touch Panel Installation and Removal



- 1 Hook bottom clips in, then rotate to fasten top clips and firmly attach Touch Panel.
- 2

IMPORTANT: The spring connectors on the Touch Panel must align with the contacts on the Power Point wall plate.



- 1 Pull
- 2 top of Touch Panel frame to detach top clips, rotate out. Pull down vertically to detach bottom clips.

IMPORTANT: Remove the Touch Panel using a soft plastic pry tool.

Setup and Commissioning

IMPORTANT: The installed qPower needs to be commissioned with the qCommission app, available from the Apple App store.

Out of the box, the Power Point can power the two channels on and off. Setting up and configuring the Wi-Fi requires the free-to-use qCommission app, available from the Apple App Store.

Operation Instructions

A non-commissioned qPower can only be controlled locally by tapping the associated button touch zones. The power outlets of a commissioned and networked qPower can be controlled individually by other qDevices that are part of the same network, as specified in the Living Experience configuration. Living Experiences include single service control, grouped services and scenes. The system can be controlled from the Touch Panels, the qLiving App or by Voice Assistant.

Additional Help

IMPORTANT: We constantly work to improve our products, and document any changes or updates here: www.quantifytechnology.com/product-documentation



qCommission App



Specifications

Operating Voltage	220-240V AC		
Frequency	50Hz		
Output Channels	Max 16A (Max. 10A for a single socket outlet)		
Over-Current Protection	Yes (Software controlled)		
Power Monitoring^{^A}	Yes	Accurate to 5% at 25°C	
Operating Temperature	0°C to 40°C		
Operating Humidity	10 to 85% RH	Non-condensing	
Mounting Cavity	80mm	54mm	45mm
Mounting Centres	84mm		
IP rating	IP20		
Safety Compliance	IEC 60669-1	IEC 60669-2-1	AS/NZS 3112
EMC Compliance	IEC 60669-1 IEC 60669-2-1 (Relevant sections)		

^{^A} Feature Card and Quantify software required for reporting

Warranty

GENERAL WARRANTY ON PRODUCTS

LIMITED WARRANTY

Quantify offers a warranty of 24 months (Warranty Term) from the date of delivery of the Quantify products for all defects in materials or workmanship for any products supplied to the Client. Where a product supplied to the Client is defective within the Warranty Term, Quantify will either repair or replace those products at its discretion. Refurbished parts may be used to repair the Products. Replacement of the Product or a part does not extend or restart the Warranty Term. If a Product presented for repair is capable of retaining user-generated data, the Reseller acknowledges that repair of the Product may result in loss of the data. Quantify may offer different delivery methods for warranty service, including, but not limited to, parts and product dispatches, mail-in service and onsite/in-home service or as otherwise agreed between the Client and Quantify in writing. Quantify will cover any costs to get the repaired/tested/replaced Products back to the Client. Any Products being sent in for warranty should be sent with all parts unless otherwise advised by one of Quantify's staff.

GENERAL EXCLUSIONS AND LIMITATIONS

The Warranty will not apply:

- to a Product which has not been installed, operated, maintained or used in accordance with the manufacturer's instructions or specifications provided with the Product;
- to a Product where the factory-applied serial number has been altered or removed;
- to a Product where the Product is, or has been damaged, has malfunctioned or failed due to alterations, accident, misuse, abuse, fire, liquid spillage, mis-adjustment of customer controls, used on an incorrect voltage, power surges and dips, thunderstorm activity, acts of God, voltage supply problems, tampering or unauthorised repairs by any persons other than by Quantify, the operation of a computer virus of any kind, exposure to abnormally corrosive conditions or entry by any insect, vermin or foreign object in the Product, normal wear and tear, or use of parts and components not supplied or intended for use with Quantify's Products;
- to third-party products or software that are bundled or provided with the Services; and
- in relation to results to be obtained from the products or Software.

Full terms and conditions including Warranty Terms can be found on Quantify's website.

Technical Specifications for products with future release dates are subject to change and should not be relied upon.

Quantify Technology Pty Ltd

Suites 2 & 3, 6 Brodie Hall Drive, Technology Park, Bentley, WA, 6102

+61 (8) 6254 0200

info@quantifytechnology.com

www.quantifytechnology.com