

Quantify Touch Panel

2 Button with Sensors

PN01-F2xx-xx

INSTALLATION GUIDE

Product Description

The Touch Panel is the interface between you and the Quantify system. Featuring large LED-illuminated touch areas for easy control, it provides visual and haptic feedback, alongside smart sensors to detect light, proximity and air gestures. Made of smooth, tempered glass, Touch Panels can be designed to complement any décor and style.

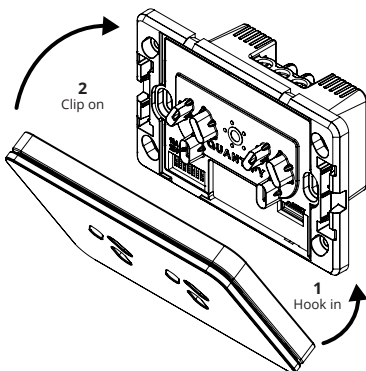
Safety Information

⚠ CAUTION: An overloaded channel will turn itself OFF. Unplug the load and replace it with one within specification before turning it back on at the qPower Touch Panel. If the Touch Panel is not responding, then the main circuit breaker may need to be reset to restore power to the qPower outlet.

⚠ CAUTION: A Touch Panel button that blinks red indicates that an associated channel has been overloaded and shut OFF. Unplug the load and tap the red blinking button to turn OFF and reset the channel. Replace the load with one within specification before turning it back ON at the qPower Touch Panel.

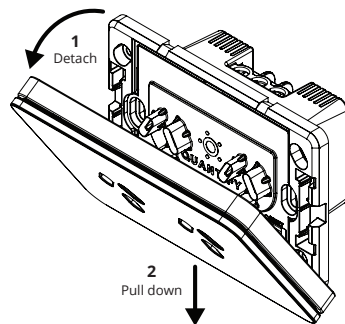
Note: If the main circuit breaker has tripped, then the Touch Panel will not display any button status light until the main circuit breaker has been reset. Unplug all loads and reset the circuit breaker. Ensure the loads are within specification before plugging them into the qPower.

Clip-on Touch Panel Installation and Removal



- ① Hook bottom clips in, then
- ② rotate to fasten top clips and firmly attach Touch Panel.

IMPORTANT: The spring connectors on the Touch Panel must align with the contacts on the Power Point wall plate.



- ① Pull top of Touch Panel frame to detach top clips, rotate out.
- ② Pull down vertically to detach bottom clips.

IMPORTANT: Remove the Touch Panel using a soft plastic pry tool.

Operation Instructions

The smart Touch Panels feature a proximity sensor and haptic motor. Normally dormant, the Touch Panel illuminates the button areas and displays the status when it senses a person's hand approaching. The buttons respond to taps to turn services on or off.



Tap for On/Off and feel the buzz

System Status

The Touch Panel displays the system status with a small LED light positioned at the top center.

- Green solid light: Wi-Fi available and qDevice is connected
- Orange flashing light: Wi-Fi configured but not connected
- Red solid light: qDevice error
- Blue slow flashing light: qDevice updating
- Blue fast flashing light: qDevice restarting



Product Updates

Additional Help

IMPORTANT: We constantly work to improve our products, and document any changes or updates here:

www.quantifytechnology.com/product-documentation

Specifications

Dimensions	126.5mm	87mm	14mm
Operating Temperature	0°C to 40°C		
Operating Humidity	10 to 85% RH	Non-condensing	
Button Sensors	Capacitive Touch Sensor		
Button Illumination	RGB LED Tiles		
Haptic Feedback	Eccentric Rotating Mass Vibration Motor		
Proximity Sensor	3-in-1 Time-of-Flight Module		

Warranty

GENERAL WARRANTY ON PRODUCTS

LIMITED WARRANTY

Quantify offers a warranty of 24 months (Warranty Term) from the date of delivery of the Quantify products for all defects in materials or workmanship for any products supplied to the Client. Where a product supplied to the Client is defective within the Warranty Term, Quantify will either repair or replace those products at its discretion. Refurbished parts may be used to repair the Products. Replacement of the Product or a part does not extend or restart the Warranty Term. If a Product presented for repair is capable of retaining user-generated data, the Reseller acknowledges that repair of the Product may result in loss of the data.

Quantify may offer different delivery methods for warranty service, including, but not limited to, parts and product dispatches, mail-in service and onsite/in-home service or as otherwise agreed between the Client and Quantify in writing. Quantify will cover any costs to get the repaired/tested/replaced Products back to the Client. Any Products being sent in for warranty should be sent with all parts unless otherwise advised by one of Quantify's staff.

GENERAL EXCLUSIONS AND LIMITATIONS

The Warranty will not apply:

- a. to a Product which has not been installed, operated, maintained or used in accordance with the manufacturer's instructions or specifications provided with the Product;
- b. to a Product where the factory-applied serial number has been altered or removed;
- c. to a Product where the Product is, or has been damaged, has malfunctioned or failed due to alterations, accident, misuse, abuse, fire, liquid spillage, mis-adjustment of customer controls, used on an incorrect voltage, power surges and dips, thunderstorm activity, acts of God, voltage supply problems, tampering or unauthorised repairs by any persons other than by Quantify, the operation of a computer virus of any kind, exposure to abnormally corrosive conditions or entry by any insect, vermin or foreign object in the Product, normal wear and tear, or use of parts and components not supplied or intended for use with Quantify's Products;
- d. to third-party products or software that are bundled or provided with the Services; and
- e. in relation to results to be obtained from the products or Software.

Full terms and conditions including Warranty Terms can be found on Quantify's website.

Technical Specifications for products with future release dates are subject to change and should not be relied upon.

Quantify Technology Pty Ltd

Suites 2 & 3, 6 Brodie Hall Drive, Technology Park, Bentley, WA, 6102

+61 (8) 6254 0200

info@quantifytechnology.com

www.quantifytechnology.com